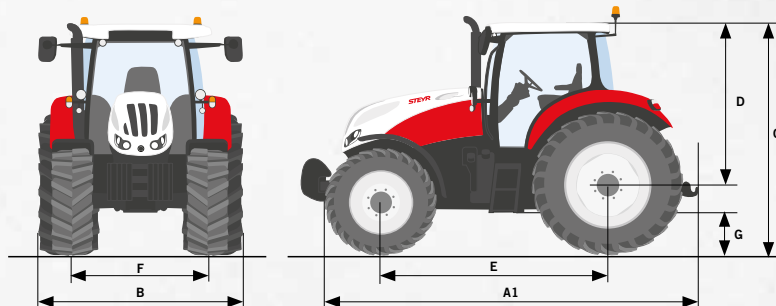
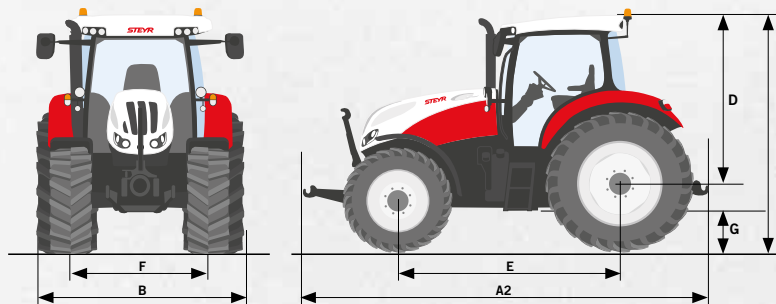


STEYR PROFI DIMENSIONS: MODEL SPECIFIC

Low roof cab



Standard roof



DIMENSIONS¹⁾

PROFI CLASSIC / PROFI / PROFI CVT

A1: Min. length rear lower links horizontal , unsuspended / suspended front axle [mm]
A2: Total length incl. front- and rear lower links horizontal, unsuspended / suspended front axle [mm]

5,137 / 5,189
 4,506 / 4,556

B: Min. width (across rear fenders) [mm]
C: Total height standard cab / suspended cab / low roof cab / suspended low roof cab [mm]

2,470
 3,005 / 3,025 / 2,887 / 2,907

D: Height from centre rear axle / to top of cab roof
 (standard cab, suspended cab, low roof cab, suspended low roof cab) (mm)

2,130 / 2,150 / 2,012 / 2,032

E: Wheelbase Standard / suspended front axle [mm]
F: Track width front min.-max. / rear min.-max. [mm]

2,642 / 2,684
 1,580-2,256 / 1,430-2,134

¹⁾ with standard tyres